

J.ZEN

Marine & Offshore Furniture



JEITEK[®]

JEITEK®

JEITEK is one of the most well-known vendor in Korean Marine and Offshore market. The history started in 1988 as small trading company and become now as manufacturer with approx. 150 employees. The speciality of JEITEK is to provide materials and equipments for accomodation area on ships and offshore projects, for instance Galley & Laundry equipment, Vacuum toilet system, Water mist system, Waste handling

system, Heay duty doors including H class, Push-FIT piping system, Elevator system and so on. Shortly speaking JEITEK is a distinct leading company in Korea, which knows about all relevant rules and regulations through design and site operation.

Our new factory in Miryang city since 2011 is producing quality catering furniture, cabin furniture and some equipments for commerical & navy ships and offshore projects. By keeping own engineering center providing 2 D & 3 D drawings in Busan we have ability to sign turnkey contracts of Galley & Laundry space and Interior work turnkey of Public space on board.

Trading is still one strong part of our present activities as tradition since 1988. We are challenging to become even better company for higher reputation worldwide.

JEITEK will be your strong partner if apporunity is given to us. Looking forwad to having such an opportunity.



President J.C. Park

TRADING BUSINESS



- METOS** / Galley & Laundry / FINLAND
- USON** / Waste handling system / SWEDEN
- RAPP BOMEK** / H class door / NORWAY
- BLUCHER** / Push-FIT pipe system / DENMARK
- MARIOFF** / Water mist system / FINLAND
- EXO INT.** / M.H.E.system / FRANCE
- KONE** / Elevator / FINLAND
- UPM** / Plywood / FINLAND
- DIAB** / PVC Foam / FINLAND



MANUFACTURING BUSINESS



- FURNITURE** / Metal Furniture, Wooden Furniture, Chair & Sofa, Inventories
- JETS** / Vaccum Toilet system
- SAUNA** / Finnish Sauna
- LABATORY** / LAB. Consulting, Equipments and furniture
- MEDICAL** / Equipments and furniture
- GYMNASIUM** / Gym.consulting, Health equipments
- GALLEY EQUIPMENT** / Range, Oven, Waste disposer, Water cooler, Water boiler, Cafeteria counter

TURNKEY CONTRACTOR



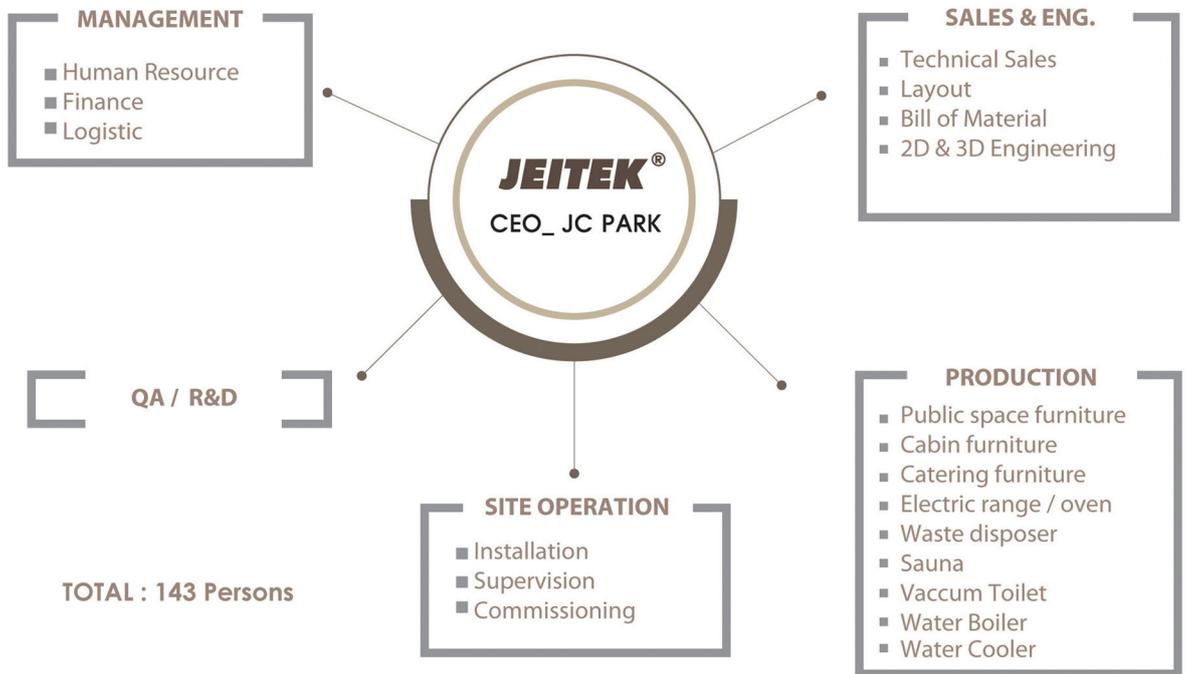
- INTERIOR TURNKEY** / Cruise and other passenger's ship / Public space, etc.
- GALLEY & LAUNDRY TURNKEY** / Engineering, Procurement, Installation, Commissioning

COMPANY HISTORY

- 1988 Established on April 01
- 1995 Joint Venture established-Vaccum toilet
- 2008 Acquisition of Furniture Company
- 2011 New Factory in Miryang



ORGANIZATION



FACILITIES

- Head office & Factory 80,Saposandanjungang-ro,Bubuk-myeon,Miryang-si,Gyeongnam,Korea
- Busan office 1507 Centum IS Tower ,60,Centum buk-daero,Haeundae-gu,Busan,Korea
- Technology center 905 Centum IS Tower ,60,Centum buk-daero,Haeundae-gu,Busan,Korea
- Warehouse 67.JinMork-ro,BaekRok-ri,HaBook-myun,Yangsan-si,Gyeongnam,Korea



INPUT MATERIAL

MATERIAL INSPECTION

MANUFACTURING

ASSEMBLY INSPECTION

FINISHED PRODUCTS
INSPECTION

FINAL INSPECTION

DELIVERY

INSTALLATION

RESEARCH

FEED BACK

3

CERTIFICATIONS

SPEC SOCIETY OF PROFESSIONAL ENGINEERS CERTIFICATION

CERTIFICATE OF REGISTRATION

Certificate No : QMS - 1308

Company Name : **JEITEK CO., LTD.**
80, Saposandajungang-ro, Bubuk-myeon, Miryang-si, Gyeongsangnam-do, Korea

Scope of registration : **Design, development, manufacture and installation of galley and laundry equipment & furniture**

Standard : **KS Q ISO 9001:2009 / ISO 9001:2008**

SPEC Certification Co., Ltd. hereby certifies that the Quality Management System of the above organization has been assessed and found to meet the requirements of the standard and scope of registration detailed above

Certificate From : 2014-04-02 Certificate Expiry : 2017-04-01
(Registration on 2008-04-02)
Reissue : Re-certification
Issue date : 2014-03-31

Signed for and on behalf of SPEC
Kobus
By authority of the Chief Executive

KAB-00-18 IAF

SPEC Co., Ltd. 4407 Ase Techno Tower 5th, Daejeon 305-390, Korea, Seoul 152-788 Korea

ISO9001

SPEC SOCIETY OF PROFESSIONAL ENGINEERS CERTIFICATION

CERTIFICATE OF REGISTRATION

Certificate No : EMS - 0412

Company Name : **JEITEK CO., LTD.**
80, Saposandajungang-ro, Bubuk-myeon, Miryang-si, Gyeongsangnam-do, Korea

Scope of registration : **The design, development, manufacture and installation of galley & laundry equipment and furniture**

Standard : **KS I ISO 14001:2009 / ISO 14001:2004**

SPEC Certification Co., Ltd. hereby certifies that the Environmental Management System of the above organization has been assessed and found to meet the requirements of the standard and scope of registration detailed above

Certificate From : 2013-12-09 Certificate Expiry : 2016-12-08
(Registration on 2013-12-09)
Issue date : 2013-12-09

Signed for and on behalf of SPEC
Kobus
By authority of the Chief Executive

KAB-00-08 IAF

SPEC Co., Ltd. 4407 Ase Techno Tower 5th, Daejeon 305-390, Korea, Seoul 152-788 Korea

ISO14001

SPEC SOCIETY OF PROFESSIONAL ENGINEERS CERTIFICATION

CERTIFICATE OF REGISTRATION

Certificate No : OHS - 0011

Company Name : **JEITEK CO., LTD.**
80, Saposandajungang-ro, Bubuk-myeon, Miryang-si, Gyeongsangnam-do, Korea

Scope of registration : **The design, development, manufacture and installation of galley & laundry equipment and furniture**

Standard : **K-OHSMS 18001:2007/OHSAS 18001:2007**

SPEC Certification Co., Ltd. hereby certifies that the Occupational and Safety Management System of the above organization has been assessed and found to meet the requirements of the standard and scope of registration detailed above

Certificate From : 2013-12-09 Certificate Expiry : 2016-12-08
(Registration on 2013-12-09)
Issue date : 2013-12-09

Signed for and on behalf of SPEC
Kobus
By authority of the Chief Executive

KAB-00-14

SPEC Co., Ltd. 4407 Ase Techno Tower 5th, Daejeon 305-390, Korea, Seoul 152-788 Korea

OHSAS18001

Achilles JQS
Joint Qualification System
for suppliers to the Oil Industry in Norway and Denmark

Certificate of Qualification
Awarded to

JEITEK CORPORATION

Company Reg.no: 621-81-23532
Achilles Id. 29700

Achilles Information Centre hereby confirms that **JEITEK CORPORATION** is qualified in the Achilles Joint Qualification System for suppliers to the Oil Industry in Norway and Denmark. The qualification concerns the product and service categories listed in the appendix.

Issued Date: 22-Mai-2014 **Expiry Date: 13-Jun-2015**

Signed for and on behalf of Achilles
Arvid Thorsheim
Achilles Information Centre
Operation Manager

Appendix: aibel, Aker, bayern, ConocoPhillips, DONG, EDISON, ENERGINET, ExxonMobil, HALLIBURTON, HESS, Idemitsu, Lundin, MAERSK, Marathon Oil, NORECO, OMV, petoro, Premier Oil, ROCKSOURCE, RWE, Schlumberger, SUNCOR, TALISMAN, TOTAL, VNG Norge, Statoil

Achilles Certificate

1)

JEITEK CO., LTD.
80-1, Saposandajungang-ro, Bubuk-myeon, Miryang-si, Gyeongsangnam-do, Korea

DNV

DET NORSKE VERITAS
STATEMENT OF CONFORMITY

Condition No. 9042-2014-03-008
This Certificate consists of 3 pages

WASTE DISPOSER

MFWB-441, MFWB-442

JEITEK COLTD
80-1, Saposandajungang-ro, Bubuk-myeon, Miryang-si, Gyeongsangnam-do, Korea

CE

2)

DNV

DET NORSKE VERITAS
STATEMENT OF CONFORMITY

Condition No. 9042-2014-03-008
This Certificate consists of 3 pages

WASTE DISPOSER

MFWB-441, MFWB-442

JEITEK COLTD
80-1, Saposandajungang-ro, Bubuk-myeon, Miryang-si, Gyeongsangnam-do, Korea

CE

3)

DNV

DET NORSKE VERITAS
STATEMENT OF CONFORMITY

Condition No. 9042-2014-03-008
This Certificate consists of 3 pages

Electric Range

MFWB-441, MFWB-442

JEITEK COLTD
80-1, Saposandajungang-ro, Bubuk-myeon, Miryang-si, Gyeongsangnam-do, Korea

CE

4)

EC-Attestation of Conformity
No. 04 07 08 01402 003

Holder of Certificate: **Jeitek Corporation**
80-1, Saposandajungang-ro, Bubuk-myeon, Miryang-si, Gyeongsangnam-do, Korea

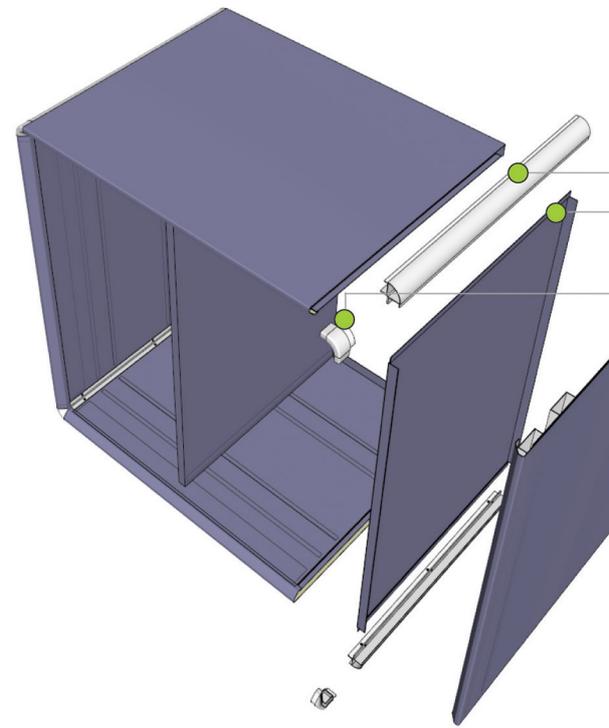
Product: **Electric Range**
Model(s): **MFWB-441, MFWB-442**
Country of Origin: **(Korea)**

CE

- 1) Marpol Cert by DNV
- 2) Disposer CE Cert
- 3) Electric Range CE Cert
- 4) Cafeteria CE

THE STYLE

J.ZEN



New Type European style Design

We are pursuing a simple and basic design consisting of refined design factors. It is another language to the minimalism design. It's the most basic elements of design that includes the rounded shape of the furniture making the human's life styles more comfort. We reflected the European Design concept to our furniture "J.ZEN". Our J.ZEN is more basic, more simple and dandier furniture.

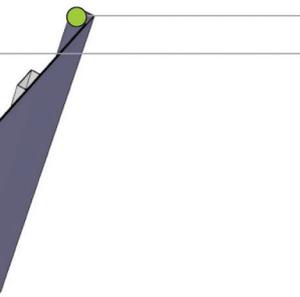
3D Round Edged System Furniture

J.ZEN is simply designed furniture, but special. By using special connecting system mould, we could create the various type of furniture such as cabinet, book case, side board, cupboard and so forth. Like this, J.ZEN could be changed to the various type of furniture by the user's purpose. J.ZEN concept provides the possibility of the mass production and also provide the guarantee of the good quality furniture.

J.ZEN has three dimensional round edges although most of competitors has the 2 dimensional round edges. The special and beautiful rounded edge provides soft and good touch feeling to the user.

Multi-Material Furniture

J.ZEN furniture could be composed of the various materials for instance. Steel to steel, Aluminum to aluminum, steel to aluminum, steel to wooden panel, steel to stainless steel and so forth. J.ZEN knock down concept can accommodate beautiful combination of different material on the same design basis.



Round Profile
 Inside panel
 Outside panel
 3 dimensional link mould piece



▲ CORNER OF JZEN.



Patent Applied a Utility Models
 Patent Applied a Layout Designs

- / KIPO - Prefabricated corner fitting of maritime furniture "20-20140006735"
- / KIPO- Locker "30-2014-0044655"
- / KIPO- Drawer "30-2014-0044656"
- / KIPO- Bookshelf "30-2014-0044657"
- / KIPO- Table "30-2014-0044666"
- / KIPO- Bed "30-2014-0044652"
- / KIPO- Wardrobe "30-2014-0044653"



▲ BEDSIDE LOCKER



▲ DESK AND SIDE BOARD



▲ TV LOCKER



OFFSHORE

STEEL FURNITURE WITH ALUMINUM HONEYCOMB BOARD

7



PULLMAN BED
1-TIER BED



2-TIER BED



DESK



SIDE BOARD



WARDROBE
LOCKER

SPECIAL SHIP

NAVY & COAST GUARD
ALUMINUM FURNITURE





LOOSE FURNITURE DECORATION WORKS

We provide our various reference to customer.
From the start to the end our efforts to create
the functional space will be continued forever.





◀ ARM CHAIR



◀ ARM CHAIR



◀ REVOLVING ARM CHAIR



◀ REVOLVING ARM CHAIR



◀ EASY CHAIR

▼ SOFA



We have been proposing to the customer the advanced design chair & sofa. In case of outsourcing, the best results are created from the close communication between final end user and supplier.

We have many good and qualified manufacturers as our partner.

PERFORMANCE RECORDS

2014

S1_ F-18
S1_ GMS Jack-up Barge H6103
SHI_ CAT-J H7117
SHI_ Stena Drill Rig H2097
DSME_ V-Drillship H3620
DSME_ TOD Chevron Drillship H3511
DSME_ Atwood Archer Drillship H3619/H3622
HHI_ Submarine P141/P142

2013

Staco/HHI_ PSV P136
SHI_ Valemon H7102
DSME_ COBALT Explorer Drillship H3618
SHI_ BBLS FSU H2030
HHI_ BP QUAD Q204

2012

Staco_ P2035
KS Yanase_ KS2018
SungDong_ S4028~4031

2011

Oriental_ Dongbang Marine

2010

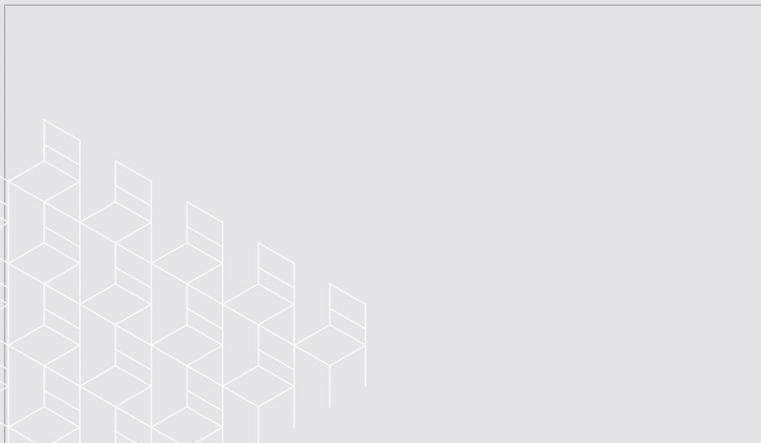
HHIC_ NAVY Vessel - S078~79



Head office & Factory: 80,Saposandanjungang-ro,Bubuk-myeon,Miryang-si,Gyeongnam,Korea
TEL. +82-55-384-9400 FAX.+82-55-384-9473
Busan office: 1507 Centum IS Tower ,60,Centum buk-daero,Haeundae-gu,Busan,Korea
TEL. +82-51-780-9400 FAX.+82-51-780-9407
Technology center: 905 Centum IS Tower ,60,Centum buk-daero,Haeundae-gu,Busan,Korea
TEL. +82-51-782-3865 FAX.+82-70-8620-3633
Warehouse: 67.JinMork-ro,BaekRok-ri,HaBook-myun,Yangsan-si,Gyeongnam,Korea
TEL. +82-55-384-9400 FAX.+82-70-8610-0012



Contact to



Marine & Offshore Furniture

J.ZEN